

ROLINX[®] Hybrid

Product Information

ROLINX[®] Hybrid is designed to reduce the installation time and to eliminate wiring errors by combining power and signal lines in a one-piece solution.

Every battery module manufacturer is confronted with the challenge of connecting all battery cells for power distribution with separate copper or aluminium conductors. Afterwards cables or separate PCBs need to be applied for the sensing purpose. This sensing can be e.g. temperature or voltage sensing.

ROLINX Hybrid is Rogers' one-piece solution with integrated connectors and surface mount components to plug into the battery module and connect to the battery management system. This solution does not only save time but also simplifies the supply chain.

Advantages

- // Eliminate wiring errors
- // Reduce assembly time
- // Proven and reliable technology
- // Simplified supply chain (1-piece-solution)



Typical Market Segments

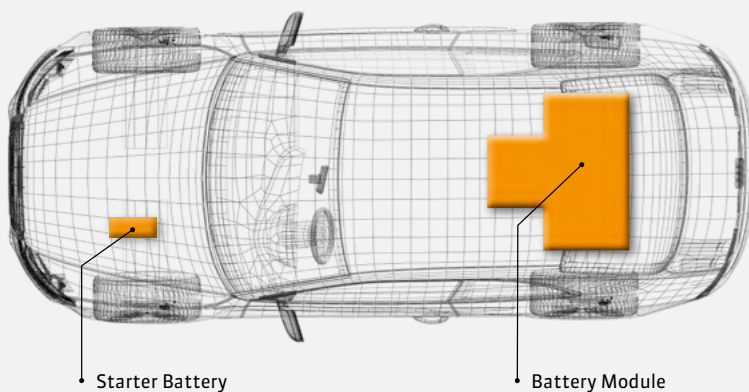
- // HEV/EV
- // Energy recuperation
- // Energy storage
- // Clean energy



Typical Technical Characteristics

Voltage	0.8 kV DC
Power	up to 100 kW
Temperature range	- 50°C / + 105°C
Relative humidity	55°C / 95% RH
Conductor material	Copper, Aluminium
Insulation material	Polyester dielectric film, rigid insulation board
Production test	Partial discharge, high voltage, dimensional

Application Range (e.g.)



Rogers BVBA
Power Electronics Solutions - ROLINX
Noorwegenstraat 3
Havennummer 7998A
9940 Evergem
Belgium
Phone +32 9 235 36 - 11
Fax +32 9 235 36 - 58

Rogers Technology (Souzhou) Co., Ltd.
No. 18 West Shenhu Road
Suzhou Industrial Park
Suzhou, PRC, 215122
Phone +86 512 62 58 - 2700
Fax + 86 512 62 58 - 2858

europe@rogerscorp.com
www.rolinx.com
www.rogerscorp.com/pes

The information contained in this document is intended to assist you in designing with Rogers' Power Electronics Solutions Materials. It is not intended to and does not create any warranties, express or implied, including any warranty of merchantability or fitness for a particular purpose or that the results shown in this document will be achieved by a user for a particular purpose. The user should determine the suitability of Rogers ROLINX Busbars for each application. The Rogers logo, the ROLINX logo and ROLINX are trademarks of Rogers Corporation.